

# Professional sinks

## Firmness and robustness



*edenox can supply sinks fully-mounted, welded to the frame for easy installation. The structure of these sinks is especially robust, designed for intensive and continuous use.*

## THREE OPTIONS TO CHOOSE FROM

edenox new range of sinks is designed to create optimal work spaces in professional kitchens. Careful design and modern manufacturing technology ensure maximum quality and unbeatable finishes.

The range of sinks includes a total of three product lines: Self-assembly sinks, welded sink units, and welded sink units with stand and doors. 600 and 700 mm wide sinks are manufactured in 1-mm thick stainless steel, with polished satin finish and include a fully welded 100 x 15 mm backsplash with a folding at the back of 10 mm.



**THEY ARE MADE OF STAINLESS STEEL.**



**SELF-ASSEMBLY SINKS**



**WELDED SINK UNITS  
WELDED SINK UNITS WITH DOORS**



### 600 range sinks

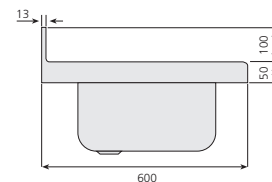
- Worktops 600 mm wide with fully welded sink and backsplash 100 mm high.
- Fully manufactured in AISI 304 18/10 stainless steel.
- Stamped bowls with soundproofing.
- Each bowl has a drain valve and overflow tube.
- Worktops are stamped in sheets 1 mm thick.



FI-126/11-D



FI-186/21-D



### Sinks 600 Range

	Model	Reference	Dimensions (mm)	Bowl and drainer	Dimension bowl (mm)
1 Bowl	FI-66/10	19004681	600 x 600	Without draining board	500 x 400 x 250
	FI-76/10	19004734	700 x 600	Without draining board	500 x 500 x 300
1 Bowl + 1 draining board	FI-106/11-D	19004726	1000 x 600	Right	400 x 400 x 250
	FI-106/11-I	19004727	1000 x 600	Left	400 x 400 x 250
	FI-126/11-D	19004781	1200 x 600	Right	500 x 400 x 250
	FI-126/11-I	19004782	1200 x 600	Left	500 x 400 x 250
	FI-136/11-D	19004744	1300 x 600	Right	500 x 500 x 300
	FI-136/11-I	19004745	1300 x 600	Left	500 x 500 x 300
2 Bowl	FI-106/20	19004783	1000 x 600	Without draining board	400 x 400 x 250
	FI-126/20	19004829	1200 x 600	Without draining board	500 x 400 x 250
	FI-136/20	19004886	1300 x 600	Without draining board	500 x 500 x 300
2 Bowl + 1 draining board	FI-146/21-D	19004830	1400 x 600	Right	400 x 400 x 250
	FI-146/21-I	19004831	1400 x 600	Left	400 x 400 x 250
	FI-166/21-D	19004908	1600 x 600	Right	500 x 400 x 250
	FI-166/21-I	19004909	1600 x 600	Left	500 x 400 x 250
	FI-186/21-D	19004964	1800 x 600	Right	500 x 500 x 300
	FI-186/21-I	19004965	1800 x 600	Left	500 x 500 x 300
2 Bowls	FI-206/22	19004910	2000 x 600	One on each side	500 x 400 x 250
	FI-256/22	19004919	2500 x 600	One on each side	500 x 500 x 300

### 600 mm stands and dishwasher stands (without shelf)

- Built entirely from AISI-304 18/10 stainless steel.
- Stands are 850 mm high and provided with height-adjustable, stainless feet.
- 6 legs on models of 2500 and 2600 in length.



### 600 mm Shelves

- Shelves are mounted with 4 screws.



For dishwashers Dimensions (mm)	Model	Reference
600 x 600	BF-66	19004722
700 x 600	BF-76	19004747
1000 x 600	BF-106	19004772
1200 x 600	BF-126	19004779
1300 x 600	BF-136	19004767
1400 x 600	BF-146	19004780
1600 x 600	BF-166	19004804
1800 x 600	BF-186	19004809
2000 x 600	BF-206	19004828
2500 x 600	BF-256	19004963
1200 x 600 (*)	BF-126-L	19004398
1800 x 600 (*)	BF-186-L	19004403

Model	Dimensions (mm)	Reference
EB-66	600 x 600	19004554
EB-76	700 x 600	19004573
EB-106	1000 x 600	19004623
EB-126	1200 x 600	19004645
EB-136	1300 x 600	19004680
EB-146	1400 x 600	19004685
EB-166	1600 x 600	19004702
EB-186	1800 x 600	19004743
EB-206	2000 x 600	19004776
EB-256	2500 x 600	19004826

\*Dishwasher models



### Sinks 700 Range

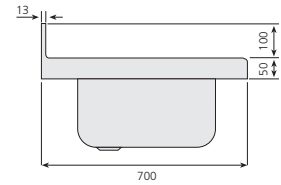
- Worktops 700 mm wide with fully welded sink and backsplash 100 mm high.
- Fully manufactured in AISI 304 18/10 stainless steel.
- Stamped bowls with soundproofing.
- Each bowl has a drain valve and overflow tube.









FI-127/11-D



FI-187/21-D



### Sinks 700 Range

	Model	Reference	Dimensions (mm)	Bowl and drainer	Dimension bowl (mm)
1 Bowl 	FI-77/10	19004729	700 x 700	Without draining board	500 x 500 x 300
	FI-87/10	19004784	800 x 700	Without draining board	600 x 500 x 300
1 Bowl + 1 draining board 	FI-127/11-D	19004814	1200 x 700	Right	500 x 500 x 300
	FI-127/11-I	19004815	1200 x 700	Left	500 x 500 x 300
	FI-147/11-D	19004883	1400 x 700	Right	600 x 500 x 300
	FI-147/11-I	19004884	1400 x 700	Left	600 x 500 x 300
2 Bowl 	FI-127/20	19004872	1200 x 700	Without draining board	500 x 500 x 300
	FI-147/20	19004918	1400 x 700	Without draining board	600 x 500 x 300
2 Bowl + 1 draining board 	FI-187/21-D	19005012	1800 x 700	Right	500 x 500 x 300
	FI-187/21-I	19005002	1800 x 700	Left	500 x 500 x 300
	FI-217/21-D	19005022	2100 x 700	Right	600 x 500 x 300
	FI-217/21-I	19005021	2100 x 700	Left	600 x 500 x 300
2 Bowls 	FI-257/22	19005060	2500 x 700	One on each side	500 x 500 x 300
	FI-267/22	19005128	2600 x 700	One on each side	500 x 500 x 300
3 Bowls 	FI-187/30	19005065	1800 x 700	Without draining board	500 x 500 x 300



### 700 mm stands and dishwasher stands (without shelf)

- Built entirely from AISI-304 18/10 stainless steel.
- Stands are 850 mm high and provided with height-adjustable, stainless feet.
- 6 legs on models of 2500 and 2600 in length.



### 700 mm Shelves

- Shelves are mounted with 4 screws.

For dishwashers Dimensions (mm)	Model	Reference
700 x 700	BF-77	19004723
800 x 700	BF-87	19004730
1000 x 700	BF-107	19004773
1200 x 700	BF-127	19004812
1400 x 700	BF-147	19004838
1600 x 700	BF-167	19004871
1800 x 700	BF-187	19004887
2100 x 700	BF-217	19005001
2500 x 700	BF-257	19005050
2600 x 700	BF-267	19005102
1200 x 700 (*)	BF-127-L	19005011
1800 x 700 (*)	BF-187-L	19004404

Model	Dimensions (mm)	Reference
EB-77	700 x 700	19004611
EB-87	800 x 700	19004624
EB-107	1000 x 700	19004644
EB-127	1200 x 700	19004686
EB-147	1400 x 700	19004704
EB-167	1600 x 700	19004771
EB-187	1800 x 700	19004777
EB-217	2100 x 700	19004827
EB-257	2500 x 700	19004881
EB-267	2600 x 700	19004907

\*Dishwasher models

## Large capacity sinks range

- 700 mm wide worktops with sinks, 100 mm high backsplash and fully welded.
- Built entirely from AISI-304 18/10 stainless steel.
- Large capacity bowls with soundproofing for washing large utensils.
- Each bowl has a drain valve and overflow tube.



FI-107/10



FI-167/11-D

1Bowl



1 Bowl + 1 draining board



2 Bowl



3 Bowl



Model	Reference	Dimensions (mm)	Bowl and drainer	Dimension bowl (mm)
FI-107/10	19004774	1000 x 700	1 Bowl	860 x 500 x 375
FI-147/10	19004834	1400 x 700	1 Bowl	1160 x 500 x 375
FI-167/11-D	19004951	1600 x 700	1 Bowl + 1 draining board right	800 x 500 x 375
FI-167/11-L	19004952	1600 x 700	1 Bowl + 1 draining board left	800 x 500 x 375
FI-187/11-D	19004967	1800 x 700	1 Bowl + 1 draining board right	1160 x 500 x 375
FI-187/11-L	19004976	1800 x 700	1 Bowl + 1 draining board left	1160 x 500 x 375
FI-187/20	19005108	1800 x 700	2 Bowl	800 x 500 x 375
FI-187/30	19005065	1800 x 700	3 Bowl	500 x 500 x 300



### Stands 700 mm (without shelf)

- All component elements are made entirely from AISI 304 18/10 stainless steel.
- Stands are 850 mm high and provided with height-adjustable, stainless feet.
- 6 legs on models of 2500 and 2600 in length.



### Shelves 700 mm

- Shelves are mounted with 4 screws.

For dishwashers Dimensions (mm)	Model	Reference
700 x 700	BF-77	19004723
800 x 700	BF-87	19004730
1000 x 700	BF-107	19004773
1200 x 700	BF-127	19004812
1400 x 700	BF-147	19004838
1600 x 700	BF-167	19004871
1800 x 700	BF-187	19004887
2100 x 700	BF-217	19005001
2500 x 700	BF-257	19005050
2600 x 700	BF-267	19005102

Model	Dimensions (mm)	Reference
EB-77	700 x 700	19004611
EB-87	800 x 700	19004624
EB-107	1000 x 700	19004644
EB-127	1200 x 700	19004686
EB-147	1400 x 700	19004704
EB-167	1600 x 700	19004771
EB-187	1800 x 700	19004777
EB-217	2100 x 700	19004827
EB-257	2500 x 700	19004881
EB-267	2600 x 700	19004907



**Welded sink units**

- Sink unit mounted and fully welded to the frame.
- Rear 100 mm height protection, fully welded.
- Models with undershelf are supplied with the shelf welded to the frame.
- Made of stainless steel, with polished satin finish.
- Seamless deep drowns bowls with sound deadening.
- Height-adjustable legs made of 40 x 40 mm tube.
- 60 mm recessed legs to accommodate sanitary clamp bend and water supply installation.
- Castors can be supplied as an option.
- Sink bowls are supplied with drain valve included.
- Indicated prices do not include the taps.



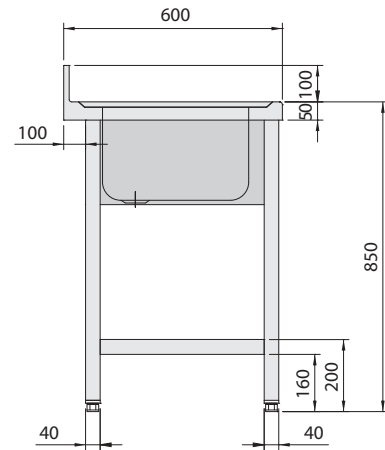
**Model STW.**  
Mounted sink without shelf.



**Model STW B.**  
Mounted sink with cross bracing.







**Model STW S.**  
Mounted sink with shelf.



**600 mm Welded sink units**



External dimensions (mm)	Model drainer right	Reference	Model drainer left	Reference	Model drainer left	Reference
 1 Bowl						
800 x 600	STW-86/10	19019954	STW-86/10 B	19019977	STW-86/10 S	19019988
 1 Bowl + 1 draining board						
1000 x 600	STW-106/11 R	19019955	STW-106/11 L B	19019978	STW-106/11 L S	19019989
1200 x 600	STW-126/11 R	19019956	STW-126/11 L B	19019979	STW-126/11 L S	19019990
1400 x 600	STW-146/11 R	19019957	STW-146/11 L B	19019980	STW-146/11 L S	19019991
1600 x 600	STW-166/11 R	19019958	STW-166/11 L B	19019981	STW-166/11 L S	19019992
 2 Bowl						
1200 x 600	STW-126/20	19019959	STW-126/20	19019982	STW-126/20 S	19019993
 2 Bowl + 1 draining board						
1400 x 600	STW-146/21 R	19019960	STW-146/21 L B	19019983	STW-146/21 L S	19019994
1600 x 600	STW-166/21 R	19019961	STW-166/21 L B	19019984	STW-166/21 L S	19019995
1800 x 600	STW-186/21 R	19019962	STW-186/21 L B	19019985	STW-186/21 L S	19019996
2000 x 600	STW-206/21 R	19019963	STW-206/21 L B	19019986	STW-206/21 L S	19019997
2200 x 600	STW-226/21 R	19019964	STW-226/21 L B	19019987	STW-226/21 L S	19019998

# Welded sink units 700 mm

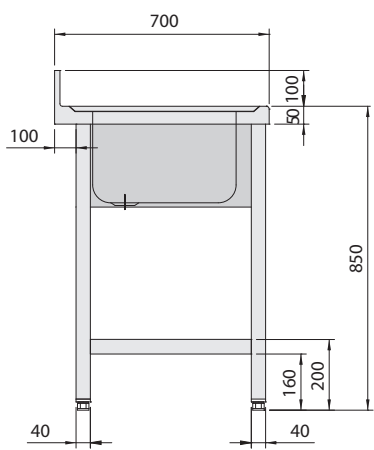
2

## Welded sink units

- Sink unit mounted and fully welded to the frame.
- Models with undershelf are supplied with the shelf welded to the frame.
- Made of stainless steel, with polished satin finish.
- Seamless deep down bowls with sound deadening.
- Height-adjustable legs made of 40 x 40 mm tube.
- 60 mm recessed legs to accommodate the edge.
- Castors can be supplied as an option.
- Sink bowls are supplied with drain valve included.



**Model STW.**  
Mounted sink without shelf.



**Model STW B.**  
Mounted sink with cross bracing.



**Model STW S**  
Mounted sink with shelf.



## 700 mm Welded sink units

External dimensions (mm)	Model drainer right	Reference	Model drainer left	Reference	Model drainer left	Reference
<b>1 Bowl</b>						
700 x 700	STW-77/10	19019965	STW-77/10 B	19019999	STW-77/10 S	19020011
800 x 700	STW-87/10	19019966	STW-87/10 B	19020000	STW-87/10 S	19020012
<b>1 Bowl + 1 draining board</b>						
1000 x 700	STW-107/11 R	19019967	STW-107/11 L B	19020001	STW-107/11 L S	19020013
1200 x 700	STW-127/11 R	19019968	STW-127/11 L B	19020002	STW-127/11 L S	19020014
1400 x 700	STW-147/11 R	19019969	STW-147/11 L B	19020003	STW-147/11 L S	19020015
1600 x 700	STW-167/11 R	19019970	STW-167/11 L B	19020004	STW-167/11 L S	19020016
<b>2 Bowl</b>						
1200 x 700	STW-127/20	19019971	STW-127/20 B	19020005	STW-127/20 S	19020017
1400 x 700	STW-147/20	19019972	STW-147/20 B	19020006	STW-147/20 S	19020018
<b>2 Bowl + 1 draining board</b>						
1600 x 700	STW-167/21 R	19019973	STW-167/21 L B	19020007	STW-167/21 L S	19020019
1800 x 700	STW-187/21 R	19019974	STW-187/21 L B	19020008	STW-187/21 L S	19020020
2000 x 700	STW-207/21 R	19019975	STW-207/21 L B	19020009	STW-207/21 L S	19020021
2200 x 700	STW-227/21 R	19019976	STW-227/21 L B	19020010	STW-227/21 L S	19020022

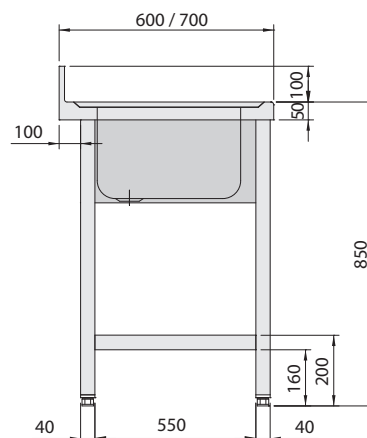
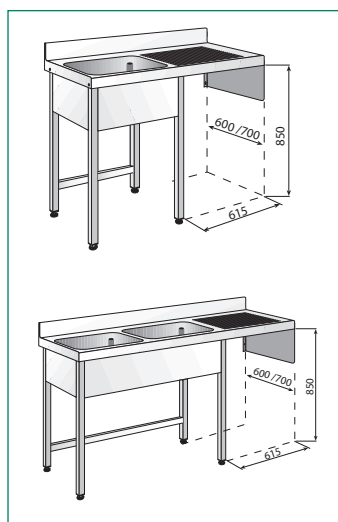


**Welded sinks for dishwashers**

- Fully welded units 600 and 700 mm wide.
- Especially designed to incorporate standard dishwashers of 600 x 600 mm, or standard glasswashers of 430 x 475 mm, under the draining board.
- Height-adjustable legs of 40 x 40 mm, to accommodate dishwasher up to a height of 850 mm.
- Fully welded backsplash of 100 x 15 mm.
- Seamless deep drawn bowls with sound deadening.
- Seamless worktops are drawn out of a single sheet of 1 mm thick steel.
- Legs are brought forward 60 mm from the wall to accommodate sanitary clamp bend and water supply installation.
- Sink bowls are supplied with drain valve included.

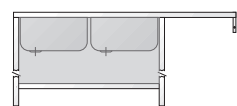
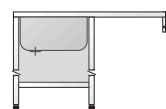


STWD-126/11 R B



**600 mm**

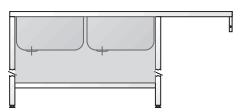
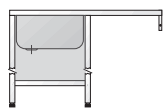
**Sinks with stand with 1 or 2 bowls + 1 draining board**



External dimensions (mm)	Dimensions bowl (mm)	Model drainer right position	Reference	Model drainer left position	Reference
1200 x 600	500 x 400 x 250	STWD-126/11 R B	19020066	STWD-126/11 L B	19020078
1400 x 600	500 x 400 x 250	STWD-146/11 R B	19020067	STWD-146/11 L B	19020079
1600 x 600	500 x 400 x 250	STWD-166/11 R B	19020068	STWD-166/11 L B	19020080
1800 x 600	500 x 400 x 250	STWD-186/21 R B	19020069	STWD-186/21 L B	19020081
2000 x 600	500 x 400 x 250	STWD-206/21 R B	19020070	STWD-206/21 L B	19020082

**700 mm**

**Sinks with stand with 1 or 2 bowls + 1 draining board**



External dimensions (mm)	Dimensions bowl (mm)	Model drainer right position	Reference	Model drainer left position	Reference
1200 x 700	500 x 500 x 300	STWD-127/11 R B	19020071	STWD-127/11 L B	19020083
1400 x 700	500 x 500 x 300	STWD-147/11 R B	19020072	STWD-147/11 L B	19020084
1600 x 700	500 x 500 x 300	STWD-167/11 R B	19020073	STWD-167/11 L B	19020085
1600 x 700	400 x 400 x 250	STWD-167/21 R B	19020074	STWD-167/21 L B	19020086
1800 x 700	500 x 500 x 300	STWD-187/21 R B	19020075	STWD-187/21 L B	19020087
2000 x 700	500 x 500 x 300	STWD-207/21 R B	19020076	STWD-207/21 L B	19020088
2200 x 700	600 x 500 x 300	STWD-227/21 R B	19020077	STWD-227/21 L B	19020089



## Welded sink units with doors 600 -700 mm

3

### Welded sink units with doors

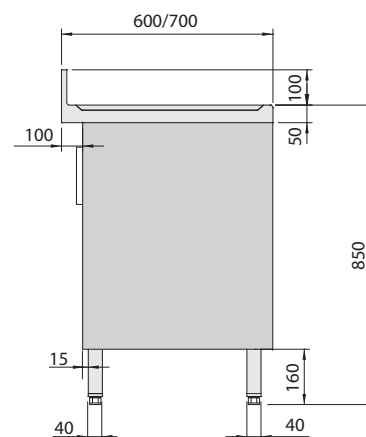
- Fully welded units 600 and 700 mm wide with doors
- Made of stainless steel, with polished satin finish.
- Rear longitudinal welded structure to increase sturdiness of the unit .
- Height-adjustable legs made of 40 x 40 mm tube.
- 60 mm recessed legs to accommodate sanitary clamp bend and water supply installation.
- Castors can be supplied as an option.
- Seamless deep drawn bowls with sound deadening.
- Sink bowls are supplied with overflow tube and drain valve included.
- Sliding doors: Soundproof. Bottom guide track under the shelf. Easy to clean, prevents waste and dirt build-up.



STW-186/21 L SD



STW-126/11 L SD



### 600 mm

#### Sinks with stand with 1 or 2 bowls + 1 draining board

##### 1 Bowl + 1 draining board



##### 2 Bowl



##### 2 Bowl + 1 draining board



External dimensions (mm)	Dimensions bowl (mm)	Model Drainer left position	Reference
1000 x 600	500 x 400 x 250	STW-106/11 L SD	19020090
1200 x 600	500 x 400 x 250	STW-126/11 L SD	19020091
1400 x 600	500 x 400 x 250	STW-146/11 L SD	19020092
1600 x 600	500 x 400 x 250	STW-166/11 L SD	19020093
1000 x 600	500 x 400 x 250	STW-106/20 SD	19020094
1200 x 600	500 x 400 x 250	STW-126/20 SD	19020095
1400 x 600	500 x 400 x 250	STW-146/21 L SD	19020096
1600 x 600	500 x 400 x 250	STW-166/21 L SD	19020097
1800 x 600	500 x 400 x 250	STW-186/21 L SD	19020098
2000 x 600	500 x 400 x 250	STW-206/21 L SD	19020099
2200 x 600	500 x 400 x 250	STW-226/21 L SD	19020100

### 700 mm

#### Sinks with stand with 1 or 2 bowls + 1 draining board

##### 1 Bowl + 1 draining board



##### 2 Bowl



##### 2 Bowl + 1 draining board



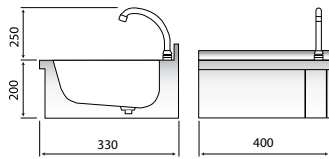
External dimensions (mm)	Dimensions bowl (mm)	Model Drainer left position	Reference
1000 x 700	500 x 500 x 300	STW-107/11 L SD	19020101
1200 x 700	500 x 500 x 300	STW-127/11 L SD	19020102
1400 x 700	500 x 500 x 300	STW-147/11 L SD	19020103
1600 x 700	500 x 500 x 300	STW-167/11 L SD	19020104
1200 x 700	500 x 500 x 300	STW-127/20 SD	19020105
1400 x 700	500 x 500 x 300	STW-147/20 SD	19020106
1600 x 700	500 x 500 x 300	STW-167/21 L SD	19020107
1800 x 700	500 x 500 x 300	STW-187/21 L SD	19020108
2000 x 700	500 x 500 x 300	STW-207/21 L SD	19020109
2200 x 700	500 x 500 x 300	STW-227/21 L SD	19020110

## Wall mounted hand basins

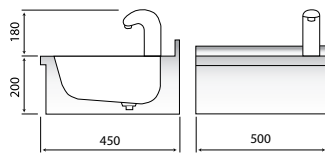
- Made of stainless steel.
- Seamless, drawn out of a single sheet of 1 mm thick steel, covered corner sink bowls with a generous radius for maximum capacity, strength, hygiene and easy cleaning and hygiene.
- Supplied ready to install, including as standard options:
  - Timed switch with easy-action lever.
  - Swivel nozzle (except "EL" models, with high quality electronic nozzle).
  - Mixer and taps for regulating hot and cold water flow.
  - Flexible 1/2" hoses for high pressure water.
  - Drain valve.



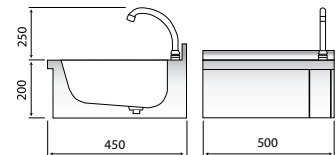
LM-43



LM-54-EL



LM-54-D



Model	Reference	Description	Dimensions
LM-43	19004981	With press button and rotating tube	400 x 330 x 200
LM-54	19004648	With press button and rotating tube	500 x 450 x 200
LM-54-D	19004635	With press button, rotating tube and soap dosing device	500 x 450 x 200
LM-54-EL (*)	19004636	With electronic tap	500 x 450 x 200
LM-54-EL-D (*)	19004742	With electronic tap and soap dosing device	500 x 450 x 200

\*Electronic models with electric activation box to 230V/1/50 Hz

## Floor standing hand basin

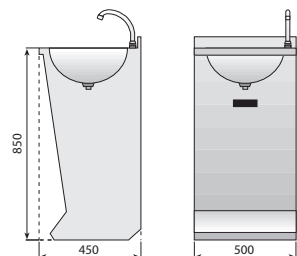
- Made of stainless steel.
- Seamless, drawn out of a single sheet of 1 mm thick steel, covered corner sink bowls with a generous radius for maximum capacity, strength, hygiene and easy cleaning and hygiene.
- Supplied ready to install, including as standard options:
  - Timed switch with easy foot activation.
  - Swivel nozzle (except electronic "EL" model).
  - Mixer and taps for regulating hot and cold water flow.
  - Flexible 1/2" hoses for high pressure water.
  - Drain valve.



LP-54



LP-54-D



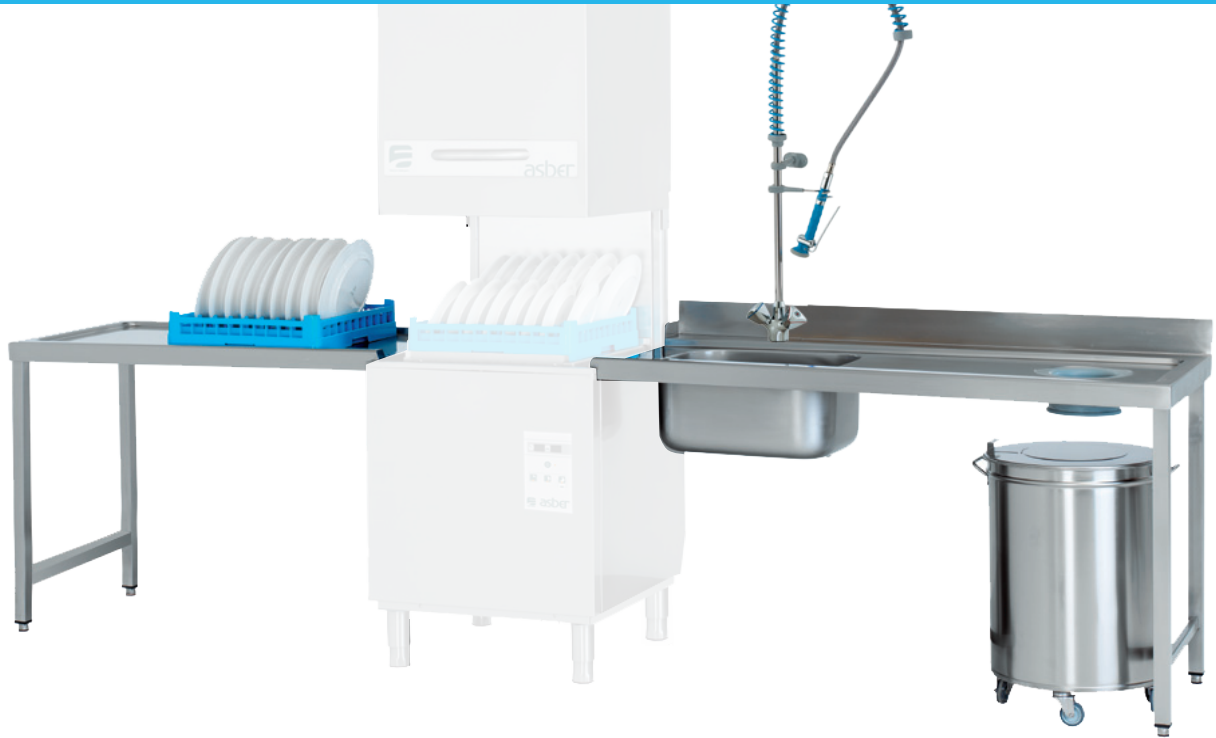
Model	Reference	Description	Dimensions
LP-54	19004746	Foot Hand basin	500 x 450 x 850
LP-54-D	19004770	Foot Hand basin with soap dosing device	500 x 450 x 850
LP-54-EL (*)	19004785	Foot Hand basin with electronic tube	500 x 450 x 850
LP-54-EL-D (*)	19004803	Foot Hand basin with electronic tube and soap dosing device	500 x 450 x 850

\*Electronic models with electric activation box to 230V/1/50 Hz

## Tables for dishwashers

- A wide range of entry and exit tables providing solutions to every need and work surface.
- Made of stainless steel.
- Height-adjustable legs made of 40 x 40 mm tube.
- Seamless deep drow bowls with rounded angles for easy and quick cleaning.
- Seamless hole for waste bin, covered with a grey food-grade ring, totally leveled with the worktop surface.
- Quick installation and easy connection to hood-type dish washer models.

Careful design and modern manufacturing technology ensure maximum quality and unbeatable finishes



Sinks are manufactured in 1-mm thick stainless steel, with polished satin finish

Height-adjustable legs made of 40 x 40 mm tube.

Compatible with standard bins with a maximum diameter of 490 mm and 600 mm height (bin not included).

Quick installation and easy connection to hood-type dish washer models.



See our wide range of installation options on the next page.



DTWR-66 2L

**Entry/exit tables. 2 legs**

- Models with 2 legs and cross bracing.
- Place for elements under the worktop (trolleys, bins, baskets, other containers, etc.).
- Crossbracing section included as a reinforcement.
- Made of stainless steel, shiny finishing.
- 40 mm flat backsplash protection.
- Table frame that ensures excellent stability when working on it.
- Solid and sturdy structure.
- Stainless steel legs, with adjustable working height.
- Tables with connection to the left side of the dishwasher are available.

**600 mm**

External dimensions (mm)	Right hand		Left hand	
	Model	Reference	Model	Reference
600 x 600	DTWR-66 2L	19020111	DTWL-66 2L	19037097
700 x 600	DTWR-76 2L	19020112	DTWL-76 2L	19037098
800 x 600	DTWR-86 2L	19020113	DTWL-86 2L	19037099
900 x 600	DTWR-96 2L	19020114	DTWL-96 2L	19037100
1000 x 600	DTWR-106 2L	19020115	DTWL-106 2L	19037101
1100 x 600	DTWR-116 2L	19020116	DTWL-116 2L	19037102
1200 x 600	DTWR-126 2L	19020117	DTWL-126 2L	19037103

**700 mm**

External dimensions (mm)	Right hand		Left hand	
	Model	Reference	Model	Reference
600 x 700	DTWR-67 2L	19020118	DTWL-67 2L	19037090
700 x 700	DTWR-77 2L	19020119	DTWL-77 2L	19037091
800 x 700	DTWR-87 2L	19020120	DTWL-87 2L	19037092
900 x 700	DTWR-97 2L	19020121	DTWL-97 2L	19037093
1000 x 700	DTWR-107 2L	19020122	DTWL-107 2L	19037094
1100 x 700	DTWR-117 2L	19020123	DTWL-117 2L	19037095
1200 x 700	DTWR-127 2L	19020124	DTWL-127 2L	19037096



DTR-126 4L MB

**Entry/exit tables. 4 legs**

- Models with 4 legs and cross bracing.
- Two (2) crossbracing sections included as a reinforcement on the lower sides.
- Made of stainless steel, shiny finishing.
- 40 mm flat backsplash protection.
- Table frame that ensures excellent stability when working on it.
- Solid and sturdy structure.
- Stainless steel legs, with adjustable working height.
- Tables with connection to the left side of the dishwasher are available.

**600 mm**

External dimensions (mm)	Right hand		Left hand	
	Model	Reference	Model	Reference
800 x 600	DTR-86 4L MB	19020125	DTL-86 4L MB	19037104
900 x 600	DTR-96 4L MB	19020126	DTL-96 4L MB	19037105
1000 x 600	DTR-106 4L MB	19020127	DTL-106 4L MB	19037106
1100 x 600	DTR-116 4L MB	19020128	DTL-116 4L MB	19037107
1200 x 600	DTR-126 4L MB	19020129	DTL-126 4L MB	19037108
1300 x 600	DTR-136 4L MB	19020130	DTL-136 4L MB	19037109
1400 x 600	DTR-146 4L MB	19020131	DTL-146 4L MB	19037110
1500 x 600	DTR-156 4L MB	19020132	DTL-156 4L MB	19037112
1600 x 600	DTR-166 4L MB	19020133	DTL-166 4L MB	19037113
1700 x 600	DTR-176 4L MB	19020134	DTL-176 4L MB	19037114
1800 x 600	DTR-186 4L MB	19020135	DTL-186 4L MB	19037115

**700 mm**

External dimensions (mm)	Right hand		Left hand	
	Model	Reference	Model	Reference
800 x 700	DTR-87 4L MB	19020136	DTL-87 4L MB	19037116
900 x 700	DTR-97 4L MB	19020137	DTL-97 4L MB	19037117
1000 x 700	DTR-107 4L MB	19020138	DTL-107 4L MB	19037118
1100 x 700	DTR-117 4L MB	19020139	DTL-117 4L MB	19037119
1200 x 700	DTR-127 4L MB	19020140	DTL-127 4L MB	19037120
1300 x 700	DTR-137 4L MB	19020141	DTL-137 4L MB	19037121
1400 x 700	DTR-147 4L MB	19020142	DTL-147 4L MB	19037122
1500 x 700	DTR-157 4L MB	19020143	DTL-157 4L MB	19037123
1600 x 700	DTR-167 4L MB	19020144	DTL-167 4L MB	19037124
1700 x 700	DTR-177 4L MB	19020145	DTL-177 4L MB	19037125
1800 x 700	DTR-187 4L MB	19020146	DTL-187 4L MB	19037126



DSTR-126 2L

**Pre-washing tables. 2 legs**

- Models with 2 legs and cross bracing.
- Place for elements under the worktop (trolleys, bins, baskets, etc.).
- Crossbracing section included as a reinforcement.
- Made of stainless steel, shiny finishing.
- 160 mm flat backsplash protection.
- Table frame that ensures excellent stability when working on it.
- Solid and sturdy structure.
- Stainless steel legs, with adjustable working height.
- Sink dimensions: 400 x 400 x 250 mm.
- Tables with connection to the left side of the dishwasher are available.

**600 mm**

External dimensions (mm)	Right hand		Left hand	
	Model	Reference	Model	Reference
1000 x 600	DSTR-106 2L	19020147	DSTL-106 2L	19037127
1100 x 600	DSTR-116 2L	19020148	DSTL-116 2L	19037128
1200 x 600	DSTR-126 2L	19020149	DSTL-126 2L	19037129
1300 x 600	DSTR-136 2L	19020150	DSTL-136 2L	19037130
1400 x 600	DSTR-146 2L	19020151	DSTL-146 2L	19037131

**700 mm**

External dimensions (mm)	Right hand		Left hand	
	Model	Reference	Model	Reference
1000 x 700	DSTR-107 2L	19020152	DSTL-107 2L	19037132
1100 x 700	DSTR-117 2L	19020153	DSTL-117 2L	19037133
1200 x 700	DSTR-127 2L	19020154	DSTL-127 2L	19037134
1300 x 700	DSTR-137 2L	19020155	DSTL-137 2L	19037135
1400 x 700	DSTR-147 2L	19020156	DSTL-147 2L	19037136

## Pre-washing tables



**DSTR-126 4L MB**

### Pre-washing tables. 4 legs

- Models with 4 legs and cross bracing.
- Two (2) crossbracing sections included as a reinforcement on the lower sides.
- Made of stainless steel, shiny finishing.
- 160 mm flat backsplash protection.

- Table frame that ensures excellent stability when working on it.
- Solid and sturdy structure.
- Stainless steel legs, with adjustable working height.
- Sink dimensions: 400 x 400 x 250 mm.
- Tables with connection to the left side of the dishwasher are available.

### 600 mm

External dimensions (mm)	Right hand		Left hand	
	Model	Reference	Model	Reference
1000 x 600	DSTR-106 4L MB	19020157	DSTL-106 4L MB	19037158
1100 x 600	DSTR-116 4L MB	19020158	DSTL-116 4L MB	19037159
1200 x 600	DSTR-126 4L MB	19020159	DSTL-126 4L MB	19037160
1300 x 600	DSTR-136 4L MB	19020160	DSTL-136 4L MB	19037161
1400 x 600	DSTR-146 4L MB	19020161	DSTL-146 4L MB	19037162
1500 x 600	DSTR-156 4L MB	19020162	DSTL-156 4L MB	19037163
1600 x 600	DSTR-166 4L MB	19020163	DSTL-166 4L MB	19037164
1700 x 600	DSTR-176 4L MB	19020164	DSTL-176 4L MB	19037165
1800 x 600	DSTR-186 4L MB	19020165	DSTL-186 4L MB	19037166

### 700 mm

External dimensions (mm)	Right hand		Left hand	
	Model	Reference	Model	Reference
1000 x 700	DSTR-107 4L MB	19020166	DSTL-107 4L MB	19037167
1100 x 700	DSTR-117 4L MB	19020167	DSTL-117 4L MB	19037168
1200 x 700	DSTR-127 4L MB	19020168	DSTL-127 4L MB	19037169
1300 x 700	DSTR-137 4L MB	19020169	DSTL-137 4L MB	19037170
1400 x 700	DSTR-147 4L MB	19020170	DSTL-147 4L MB	19037171
1500 x 700	DSTR-157 4L MB	19020171	DSTL-157 4L MB	19037172
1600 x 700	DSTR-167 4L MB	19020172	DSTL-167 4L MB	19037173
1700 x 700	DSTR-177 4L MB	19020173	DSTL-177 4L MB	19037174
1800 x 700	DSTR-187 4L MB	19020174	DSTL-187 4L MB	19037175



**DSTR-166 H 2L**

### Pre-washing tables with hole. 2 legs

- Models with 2 legs and cross bracing.
- Hole to throw waste under the workbench.
- Place for elements under the worktop (trolleys, bins, baskets, etc.).
- Crossbracing section included as a reinforcement.
- Made of stainless steel, shiny finishing.

- 160 mm flat backsplash protection.
- Table frame that ensures excellent stability when working on it.
- Solid and sturdy structure.
- Stainless steel legs, with adjustable working height.
- Sink dimensions: 400 x 400 x 250 mm
- Tables with connection to the left side of the dishwasher are available.

### 600 mm

External dimensions (mm)	Right hand		Left hand	
	Model	Reference	Model	Reference
1200 x 600	DSTR-126 H 2L	19020175	DSTL-126 H 2L	19037176
1300 x 600	DSTR-136 H 2L	19020176	DSTL-136 H 2L	19037177
1400 x 600	DSTR-146 H 2L	19020177	DSTL-146 H 2L	19037178
1500 x 600	DSTR-156 H 2L	19020178	DSTL-156 H 2L	19037179
1600 x 600	DSTR-166 H 2L	19020179	DSTL-166 H 2L	19037180
1700 x 600	DSTR-176 H 2L	19020180	DSTL-176 H 2L	19037181

### 700 mm

External dimensions (mm)	Right hand		Left hand	
	Model	Reference	Model	Reference
1200 x 700	DSTR-127 H 2L	19020181	DSTL-127 H 2L	19037182
1300 x 700	DSTR-137 H 2L	19020182	DSTL-137 H 2L	19037183
1400 x 700	DSTR-147 H 2L	19020183	DSTL-147 H 2L	19037184
1500 x 700	DSTR-157 H 2L	19020184	DSTL-157 H 2L	19037185
1600 x 700	DSTR-167 H 2L	19020185	DSTL-167 H 2L	19037186
1700 x 700	DSTR-177 H 2L	19020186	DSTL-177 H 2L	19037187



**DSTR-166 H 4L**

### Pre-washing tables with hole. 4 legs

- Models with 4 legs and cross bracing.
- Hole to throw waste under the workbench.
- Place for elements under the worktop (trolleys, bins, baskets, etc.).
- Two (2) crossbracing sections included as a reinforcement on the lower sides.
- Made of stainless steel, shiny finishing.

- 160 mm flat backsplash protection.
- Table frame that ensures excellent stability when working on it.
- Solid and sturdy structure.
- Stainless steel legs, with adjustable working height.
- Sink dimensions: 400 x 400 x 250 mm.
- Tables with connection to the left side of the dishwasher are available.

### 600 mm

External dimensions (mm)	Right hand		Left hand	
	Model	Reference	Model	Reference
1000 x 600	DSTR-106 H 4L	19020187	DSTL-106 H 4L	19037188
1100 x 600	DSTR-116 H 4L	19020188	DSTL-116 H 4L	19037189
1200 x 600	DSTR-126 H 4L	19020189	DSTL-126 H 4L	19037190
1300 x 600	DSTR-136 H 4L	19020190	DSTL-136 H 4L	19037191
1400 x 600	DSTR-146 H 4L	19020191	DSTL-146 H 4L	19037192
1500 x 600	DSTR-156 H 4L	19020192	DSTL-156 H 4L	19037193
1600 x 600	DSTR-166 H 4L	19020193	DSTL-166 H 4L	19037194
1700 x 600	DSTR-176 H 4L	19020194	DSTL-176 H 4L	19037195
1800 x 600	DSTR-186 H 4L	19020195	DSTL-186 H 4L	19037196

### 700 mm

External dimensions (mm)	Right hand		Left hand	
	Model	Reference	Model	Reference
1000 x 700	DSTR-107 H 4L	19020196	DSTL-107 H 4L	19037197
1100 x 700	DSTR-117 H 4L	19020197	DSTL-117 H 4L	19037198
1200 x 700	DSTR-127 H 4L	19020198	DSTL-127 H 4L	19037199
1300 x 700	DSTR-137 H 4L	19020199	DSTL-137 H 4L	19037200
1400 x 700	DSTR-147 H 4L	19020200	DSTL-147 H 4L	19037201
1500 x 700	DSTR-157 H 4L	19020201	DSTL-157 H 4L	19037202
1600 x 700	DSTR-167 H 4L	19020202	DSTL-167 H 4L	19037203
1700 x 700	DSTR-177 H 4L	19020203	DSTL-177 H 4L	19037204
1800 x 700	DSTR-187 H 4L	19020204	DSTL-187 H 4L	19037205